

PSC 3600C EF PSC 3200C EF



Electrohydraulic underbody double
scissors type lift, for tyre specialists, car
workshops, and body repairers



Unique arm geometry for maximum stiffness
and minimised space usage.
Special **lift linkage**, for lifting loads even from
the lowest lift height.



All models available in both on-floor and flush installation versions

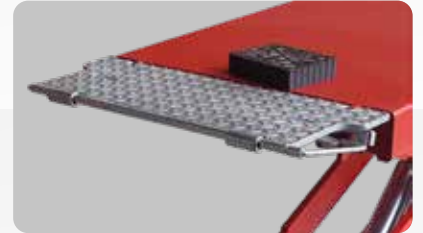


Alignment of the runways with a dual MASTER/SLAVE circuit (two cylinders per runboard) without mechanical safety racks.



ADJUSTMENT BOLTS

Adjustment bolts with rubber to cushion the end of the stroke.



RUNWAYS WITH SUSPENDED FLAPS

Runways with suspended flaps which also act as vehicle access ramps.



SLIDING BLOCKS

Generously sized, **self-lubricating sliding blocks**.

INCLUDED ACCESSORIES

- Self-lubricating bushings on all rotating parts
- Set of 4 rubber pads

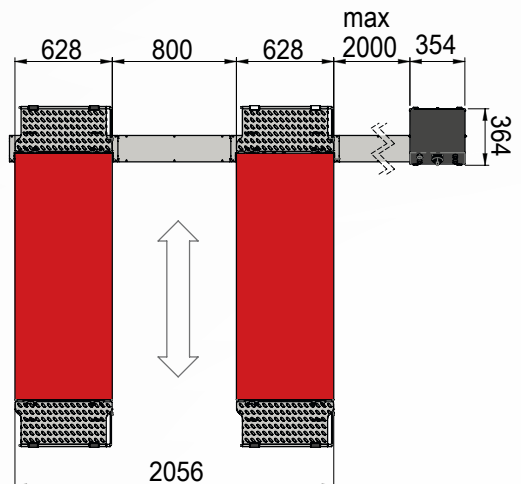
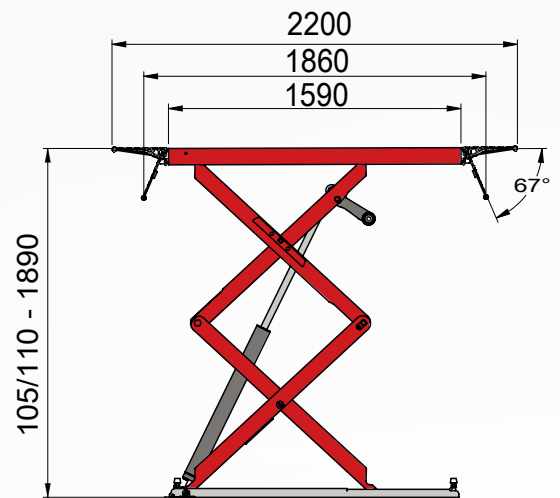
RECOMMENDED ACCESSORIES

- Pair of cross pieces and pads for off-road vehicles
 - Kit for pit installations
- See separate catalogue for further accessories.

TECHNICAL DATA

Model	<i>PSC 3600C EF</i>	<i>PSC 3200C EF</i>
Lift capacity	3600 kg	3200 kg
Lifting time	45 s	
Three phase motor	400/230V - 3kW - 3Ph - 50/60Hz	
Single phase motor	230V - 3kW - 1Ph - 50/60Hz	
Max. lifting height	1890 mm	
Lift min. height	110 mm	105 mm

DIMENSIONS



The manufacturer reserves the right to modify the features of its products at any time.

Cod. DPSC000633_05/2024



NEXION SPA - ITALY
www.sice.it - sice@sice.it



Designed in
ITALY